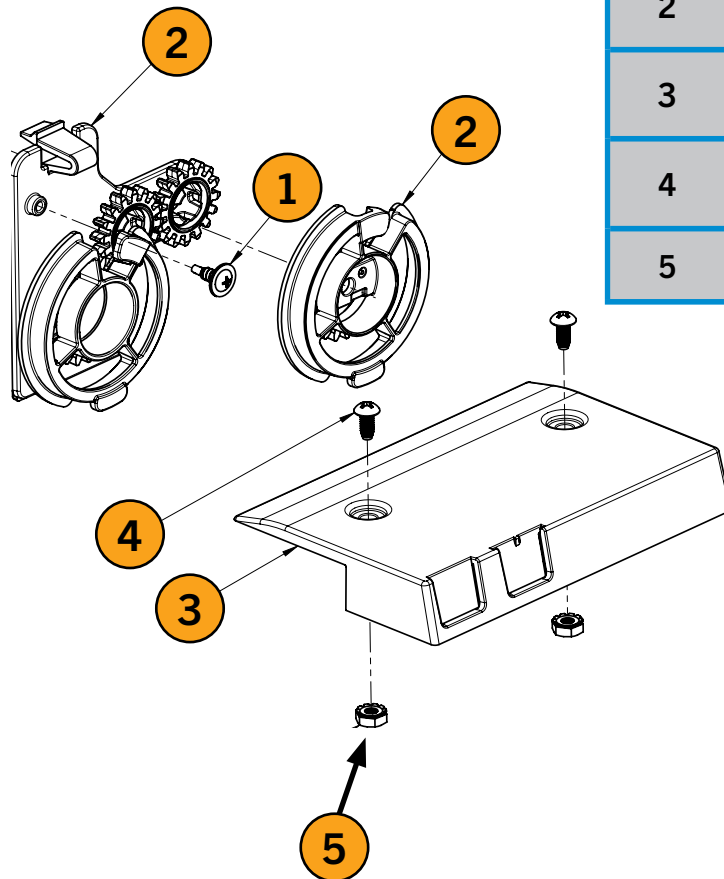




GEAR DRIVE ASSEMBLY KIT INSTRUCTIONS

AP Dual Drive Tray – Kit No. VE1020580 - No Motor



#	PART NUMBER	DESCRIPTION	QUANTITY
1	VE9323B	SELF DRILLING SCREW	1
2	VE106272	GEAR SET WITH LOOSE HUB COMPONENT	1
3	VE1017140	DUAL COIL TRAY NOSE	1
4	VE4317	SCREW, 8-32 X .375	2
5	VE7207K	NUT, 8-32	2

Any coils mentioned in this document are ordered separately from these kits.

Please read the following instructions to install this kit on your tray.

Remove the kit from its packaging and check for any missing parts or quality issues. If any parts are missing or damaged, contact Vendors Exchange at the number below.



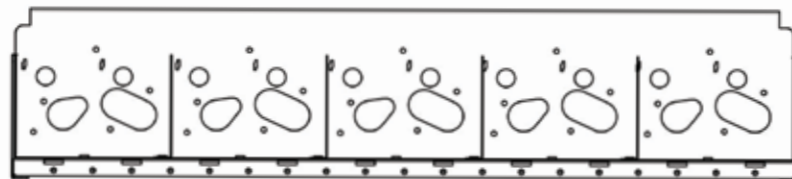
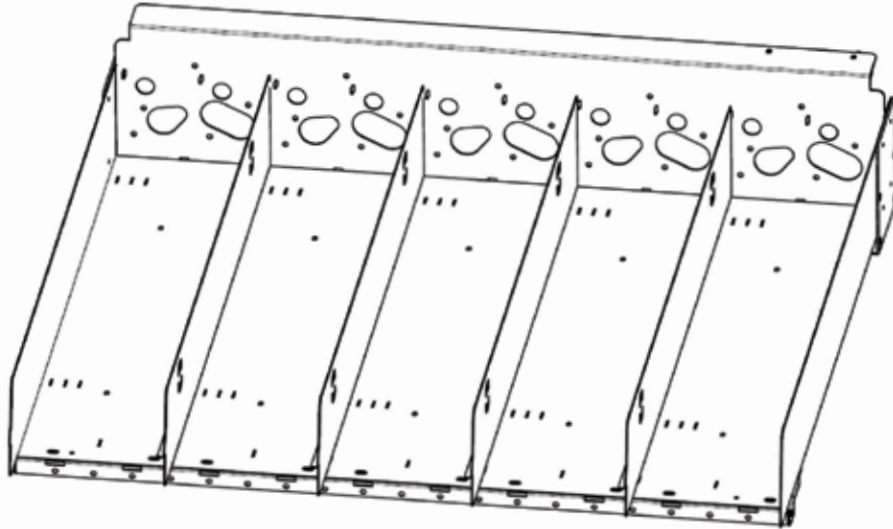
QUICK REFERENCE GUIDE

GEAR DRIVE ASSEMBLY KIT INSTRUCTIONS

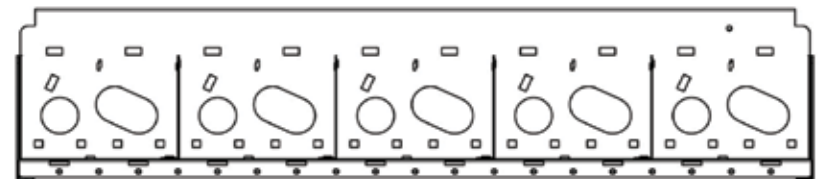
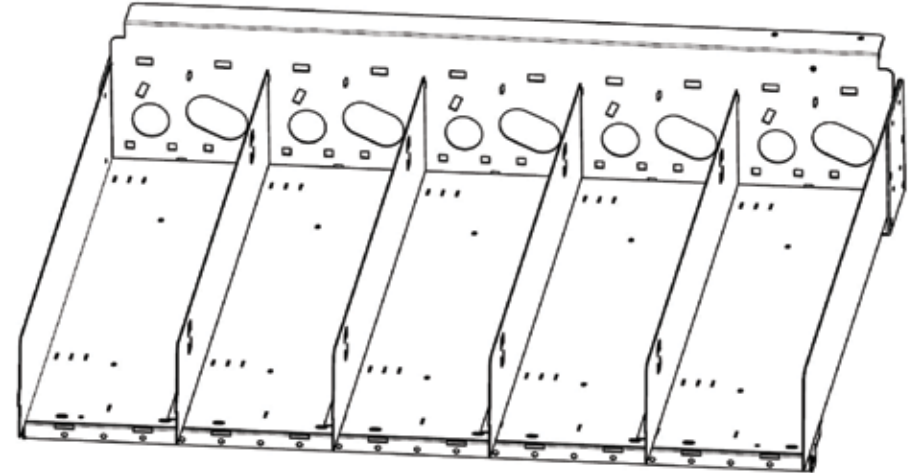
AP Dual Drive Tray – Kit No. VE1020580 - No Motor

**** BEFORE YOU START PLEASE ENSURE THE COMPATIBILITY OF YOUR 6000 / 7000 AP DUAL DRIVE KIT ****

Not Compatible ❌



Compatible ✓

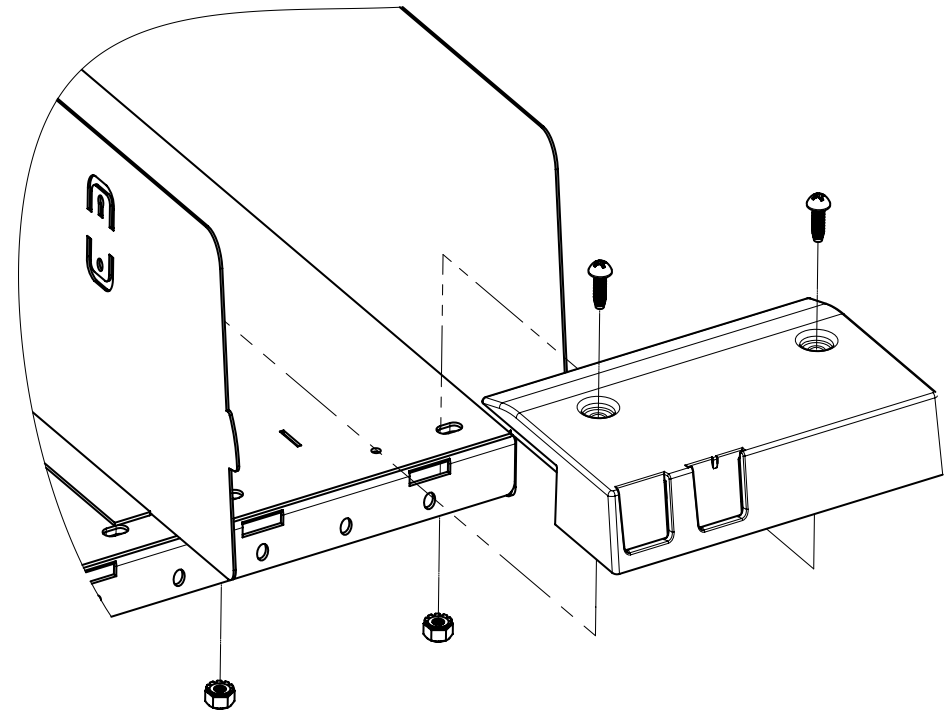
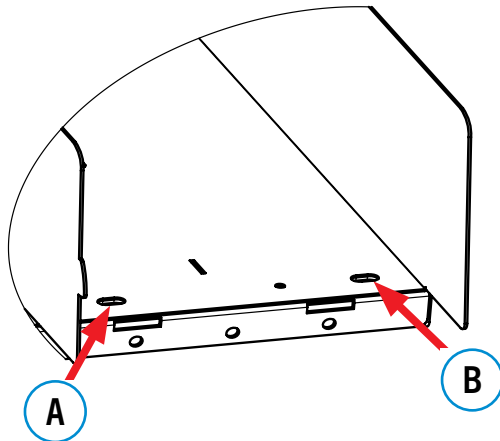
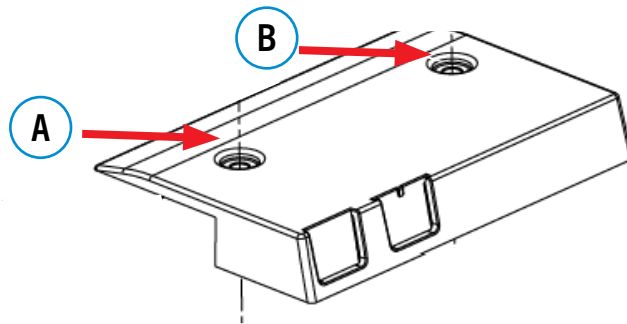




GEAR DRIVE ASSEMBLY KIT INSTRUCTIONS

AP Dual Drive Tray – Kit No. VE1020580 - No Motor

Tray Nose Installation

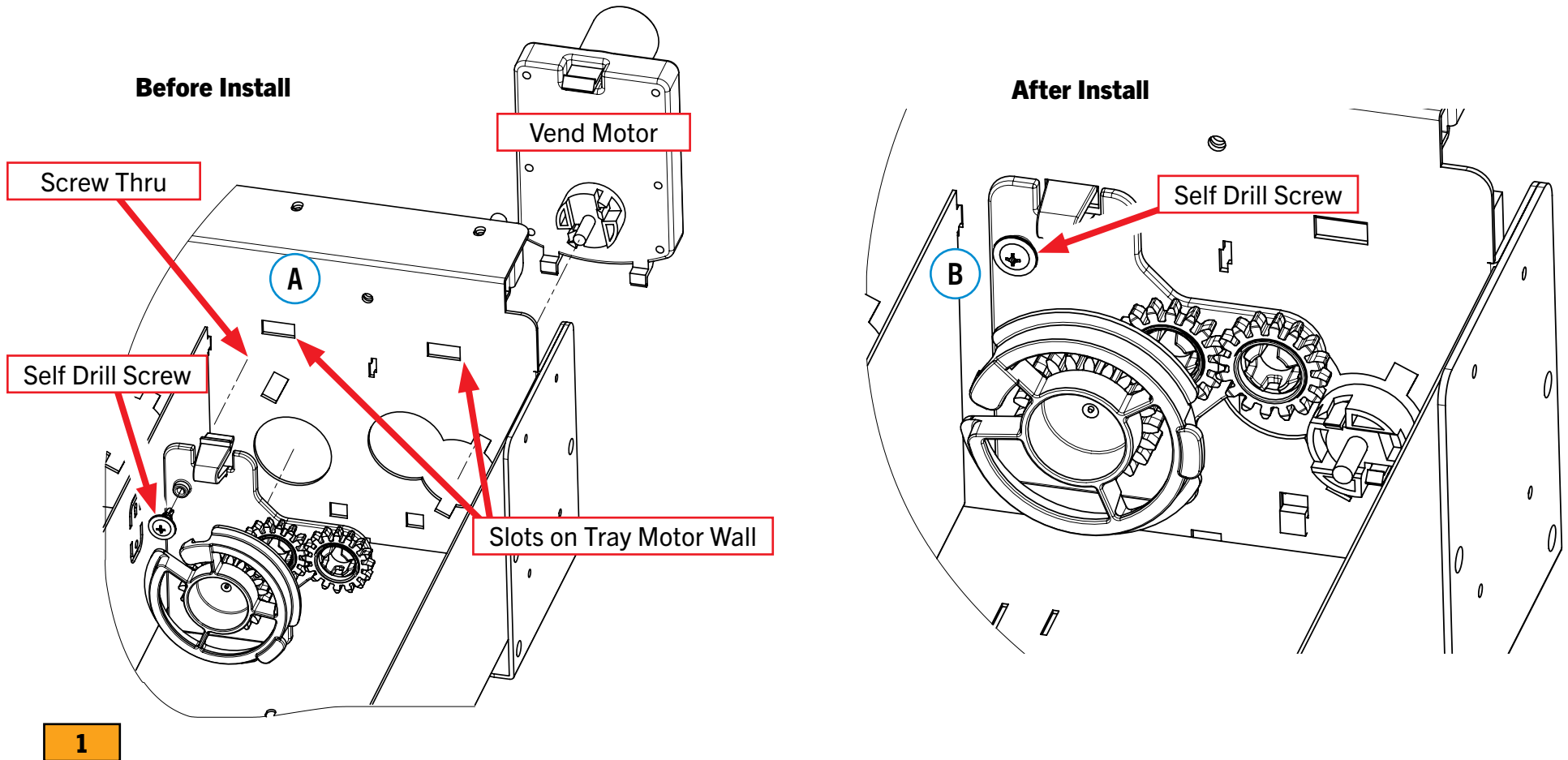


- Align points A and B on the Nose kit so that it aligns with points A and B on the Tray.
- Once Nose kit and tray are aligned use the (8-32) screws and (8-32) Nuts included in the kit to secure the Tray nose to Tray.



GEAR DRIVE ASSEMBLY KIT INSTRUCTIONS

AP Dual Drive Tray – Kit No. VE1020580 - No Motor

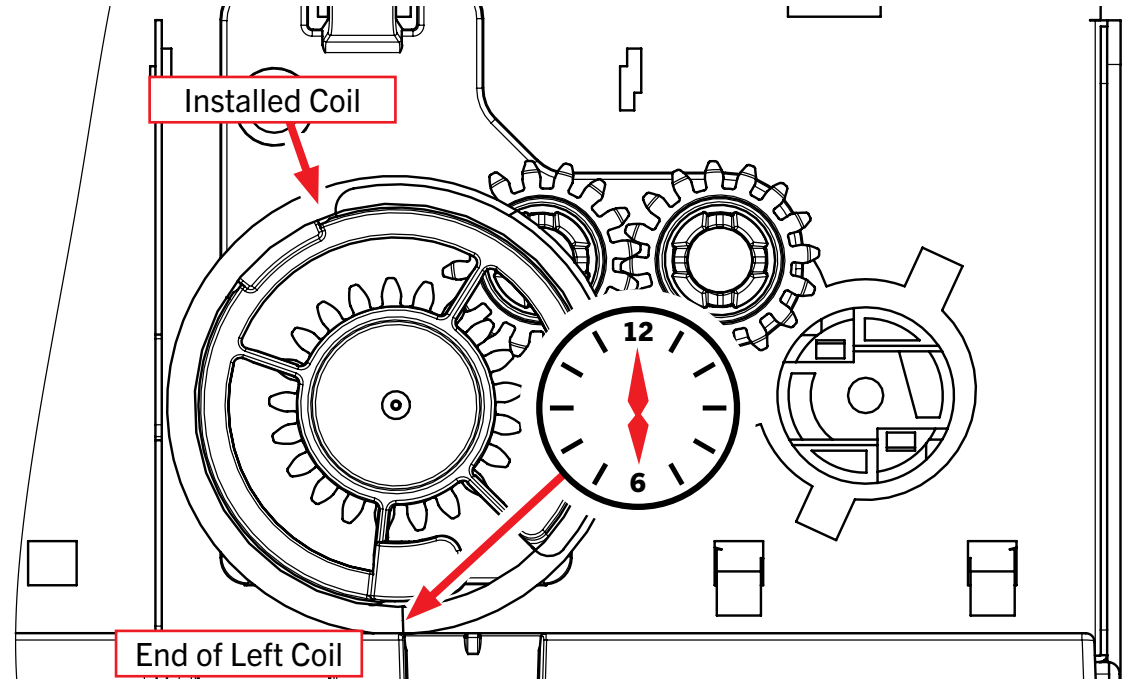
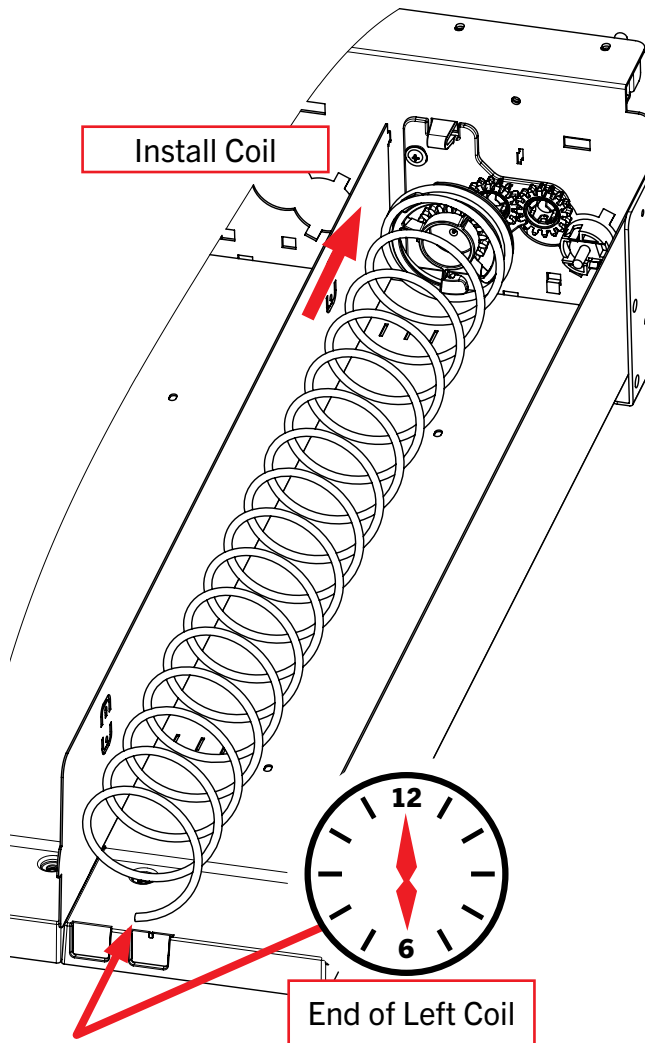


First, insert **Backing Plate with Gears (VE106272)** into the slots in the tray motor slot as shown (A). Using the **Self-Drilling Screw (VE9323B)**, hold the backing plate in position while installing the screw as shown (B).



GEAR DRIVE ASSEMBLY KIT INSTRUCTIONS

AP Dual Drive Tray – Kit No. VE1020580 - No Motor



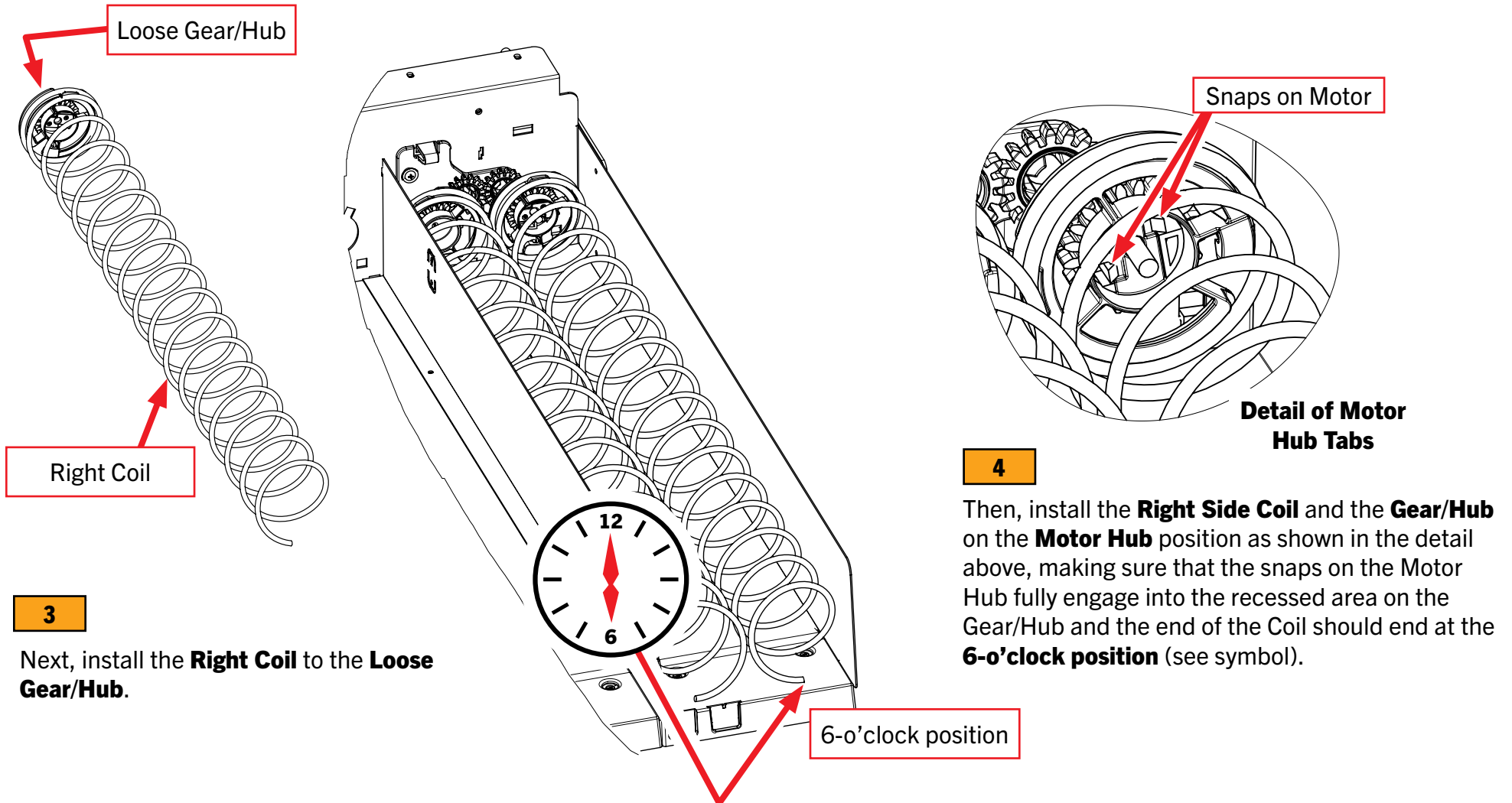
2

Then, install the left coil. Rotate the coil so that the end is at the **6-o'clock position** at the end of the install.



GEAR DRIVE ASSEMBLY KIT INSTRUCTIONS

AP Dual Drive Tray – Kit No. VE1020580 - No Motor





GEAR DRIVE ASSEMBLY KIT INSTRUCTIONS

AP Dual Drive Tray – Kit No. VE1020580 - No Motor

5

Finally, repeat steps 2 through 4 to complete the **Coil** Installation. Check the ends to maintain the **6-o'clock** position on each one, adjust if necessary

