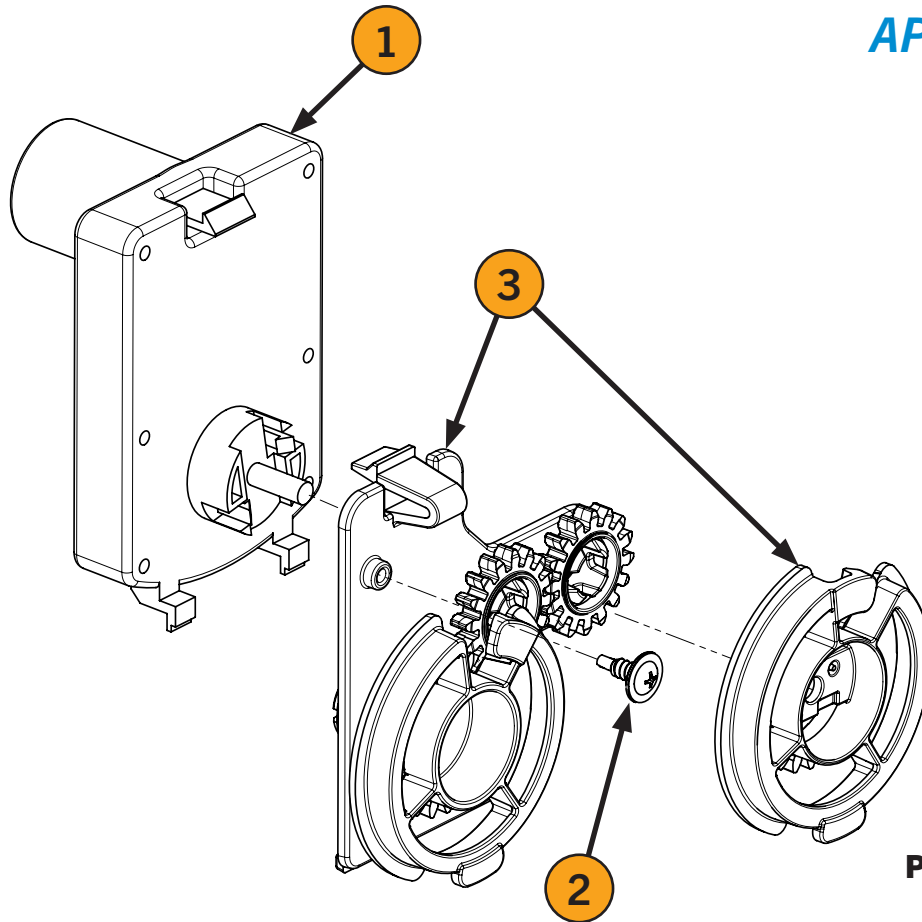




GEAR DRIVE ASSEMBLY KIT INSTRUCTIONS

AP Dual Drive Tray – Kit No. VE1020579 (4 Wide)
AP Dual Drive Tray – Kit No. VE1020580 (5 Wide)



#	PART NUMBER	DESCRIPTION
1	VE2995	VEND MOTOR
2	VE9323B	SELF DRILLING SCREW
3	VE106272	GEAR SET WITH LOOSE HUB COMPONENT

Any coils mentioned in this document are ordered separately from these kits.

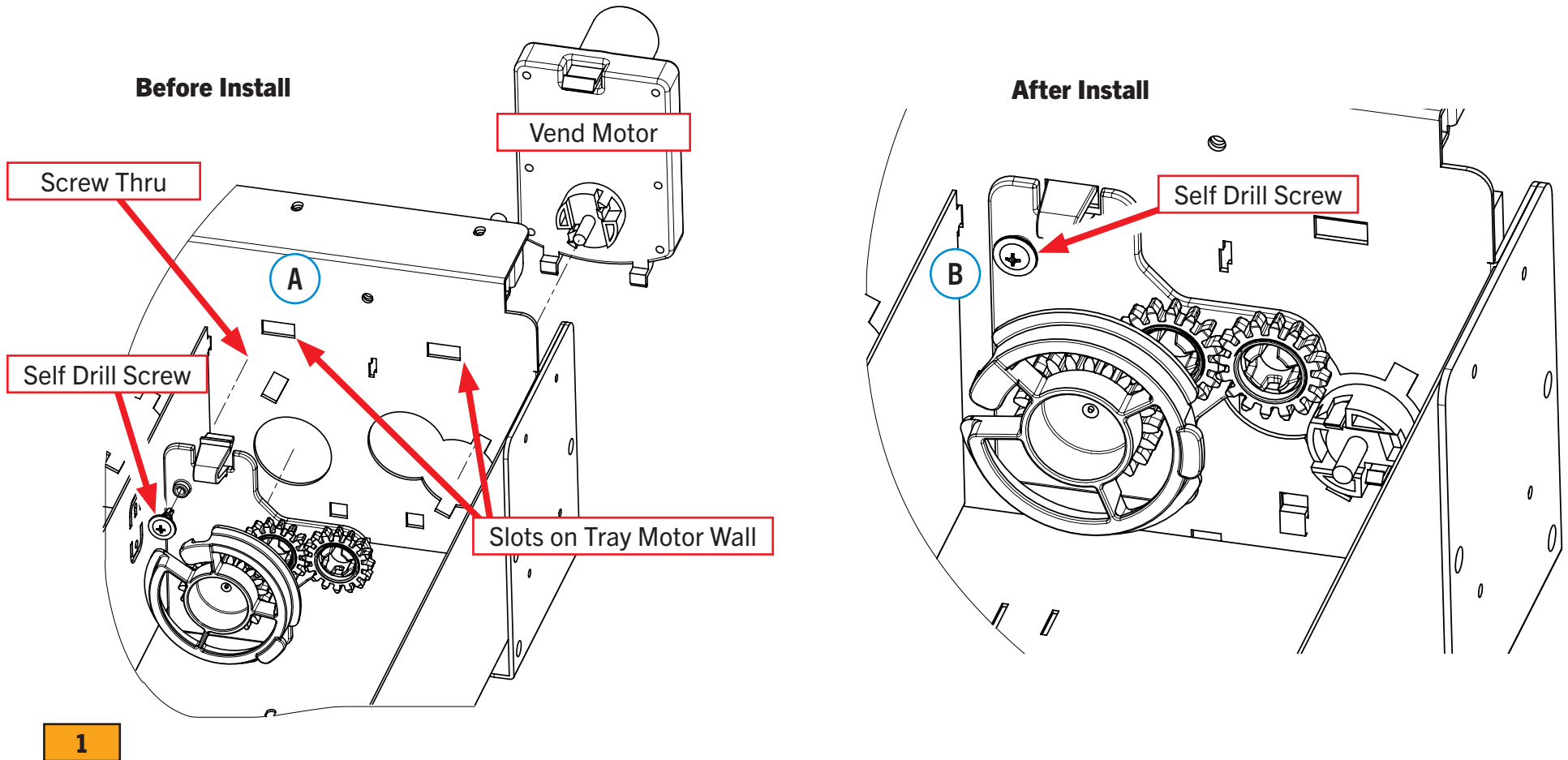
Please read the following instructions to install this kit on your tray.

Remove the kit from its packaging and check for any missing parts or quality issues. If any parts are missing or damaged, contact Vendors Exchange at the number below.



GEAR DRIVE ASSEMBLY KIT INSTRUCTIONS

AP Dual Drive Tray – Kit No. VE1020579 (4 Wide) – VE1020580 (5 Wide)

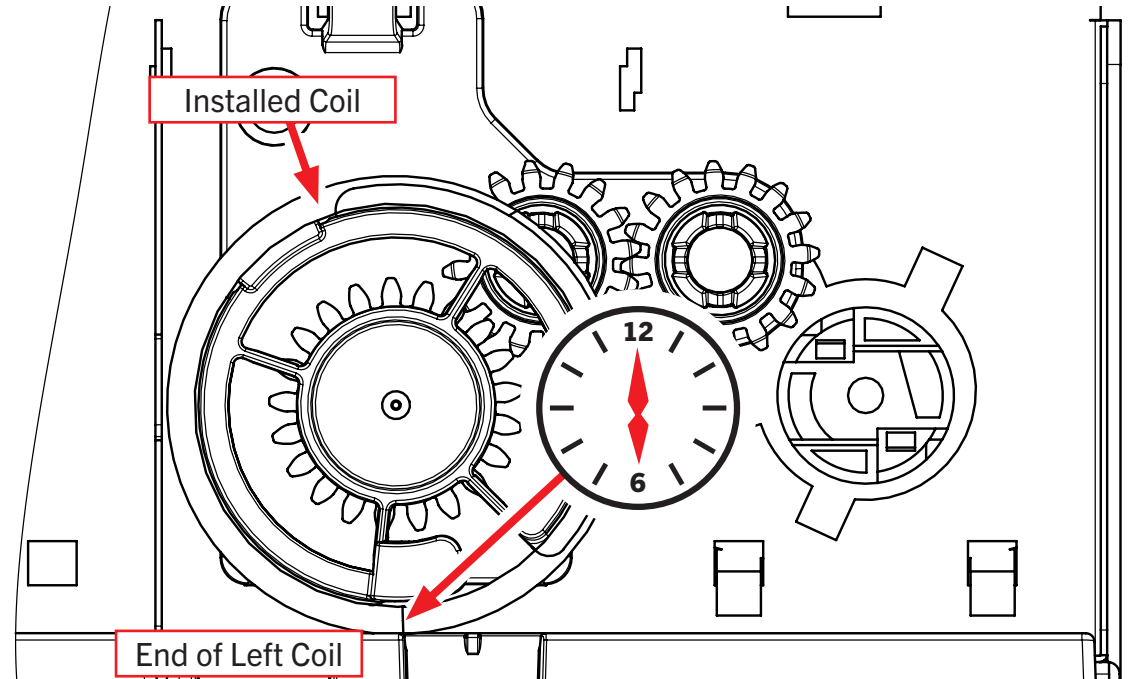
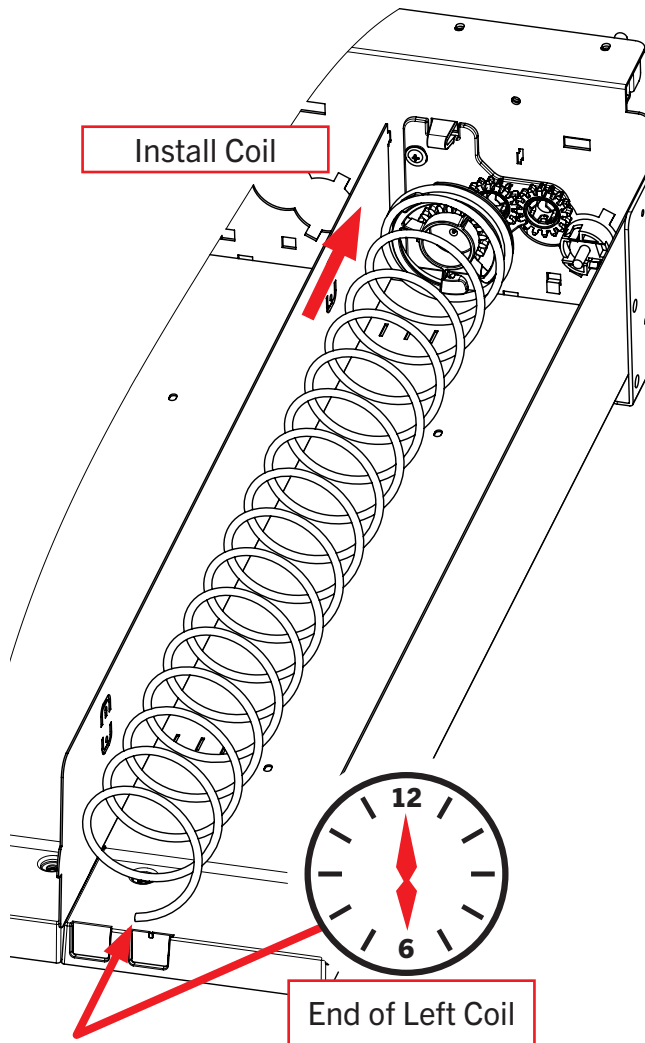


First, insert **Backing Plate with Gears (VE106272)** into the slots in the tray motor slot as shown (A). Using the **Self-Drilling Screw (VE9323B)**, hold the backing plate in position while installing the screw as shown (B).



GEAR DRIVE ASSEMBLY KIT INSTRUCTIONS

AP Dual Drive Tray – Kit No. VE1020579 (4 Wide) – VE1020580 (5 Wide)



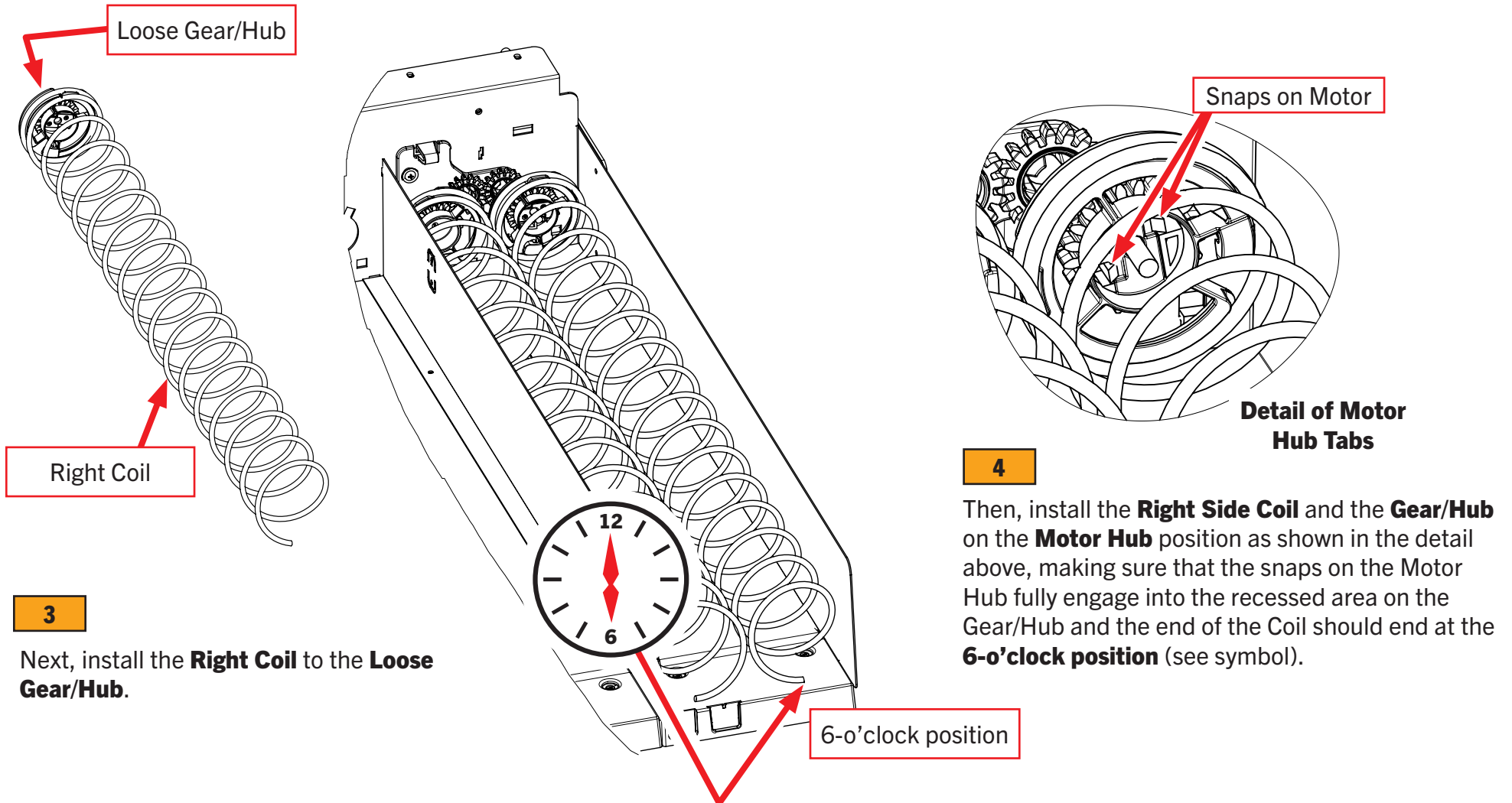
2

Then, install the left coil. Rotate the coil so that the end is at the **6-o'clock position** at the end of the install.



GEAR DRIVE ASSEMBLY KIT INSTRUCTIONS

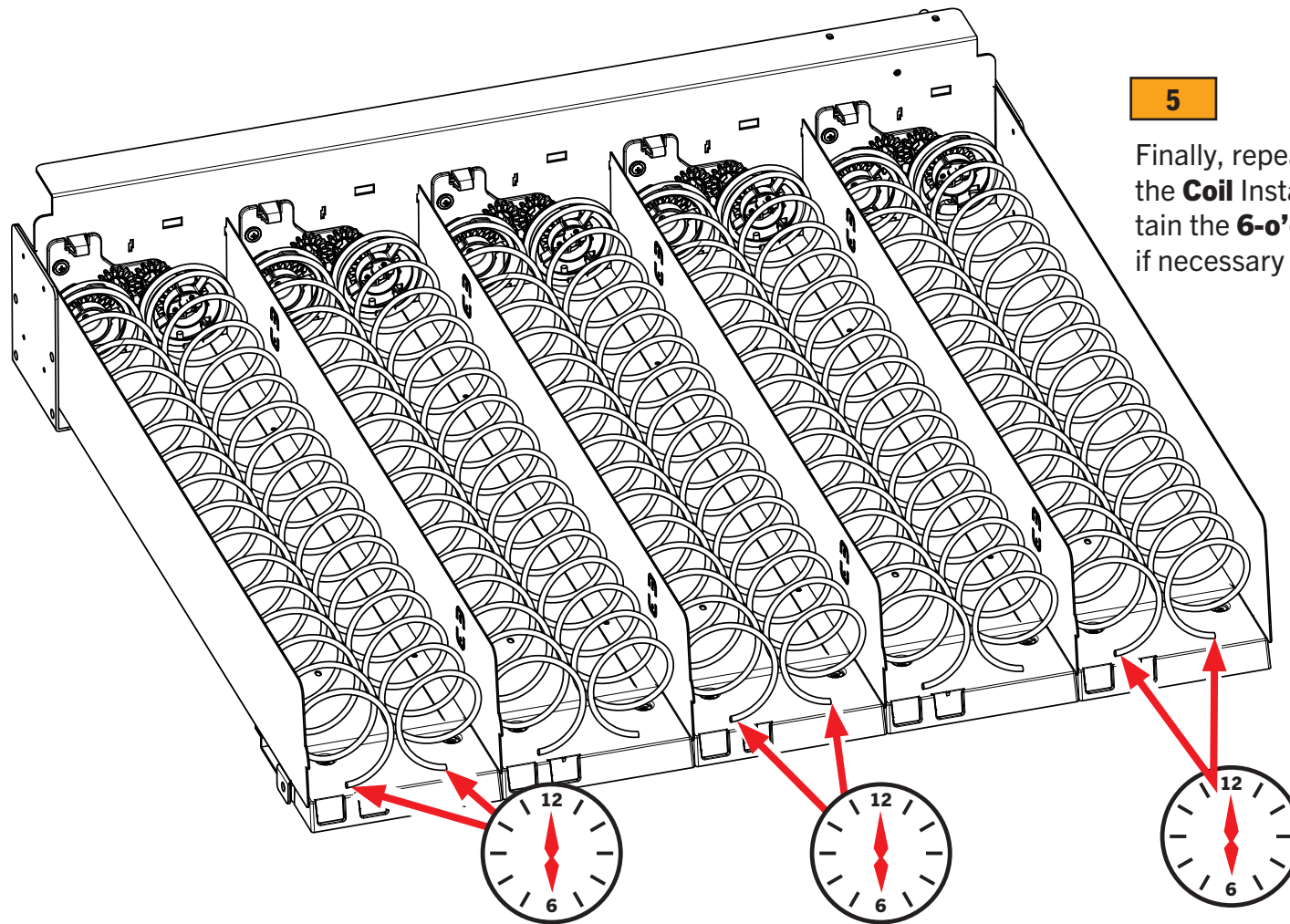
AP Dual Drive Tray – Kit No. VE1020579 (4 Wide) – VE1020580 (5 Wide)





GEAR DRIVE ASSEMBLY KIT INSTRUCTIONS

AP Dual Drive Tray – Kit No. VE1020579 (4 Wide) – VE1020580 (5 Wide)



5

Finally, repeat steps 2 through 4 to complete the **Coil** Installation. Check the ends to maintain the **6-o'clock** position on each one, adjust if necessary

